

Smart Care Business Uses the Internet of Things

Ahmad Khalaf Alkhalafdeh

Department of Pharmaceutical Chemistry; College of Pharmacy, Jerash University, Jordan.

Corresponding Author: Ahmad Khalaf Alkhalafdeh, Department of Pharmaceutical Chemistry; College of Pharmacy, Jerash University, Jordan.

Received date: April 03, 2021; **Accepted date:** April 10, 2021; **Published date:** April 16, 2021.

Citation: Ahmad Khalaf Alkhalafdeh. Smart Care Business Uses the Internet of Things, J. New Medical Innovations and Research, 2(3): DOI: 10.31579/2767-7370/014

Copyright: © 2021 Ahmad Khalaf Alkhalafdeh. This is an open-access article distributed under the terms of The Creative Commons Attribution License, which permits unrestricted use, distribution, and reproduction in any medium, provided the original author and source are credited.

Abstract

It is important to increase the quality of health and medicine. A wearable system for continuous monitoring of the patient is important to overcome this issue. Thus, a patient with Arrhythmia due to its low cost and success in saving the life of the patient was the right option for the care partner. In addition, the device will provide a consumer with a smart smartphone application with accurate pulse beat and body temperature data in real time. MAX 30100 and LM35 are primarily used for the detection of human heart and temperature. An arrhythmia algorithm in the esp32 segment generates the performance of these sensors.

Keywords: sensor; smart machine; internet of things (IoT); arrhythmia; arrhythmic signs; biosensor; electrocardiogram; nanotechnology

1. Introduction

Increasing number of elderly people is a challenge because they have high predisposition to heart disease, so they need to be monitored (Alkhalafdeh et al, 2020). According to the UN World Health Organization (WHO), the elder population will exceed the population of children younger than 5 years. In 2020, the elder population will continue to grow at an unexpected rate. A recent statistic for National Institute Health (NIH) shows that 617 million people worldwide are over 65 years old. Heart disease is one of the main causes of sudden deaths, Recent

statistic of National Health Service (NHS) shows that there are more than 2 million people a year in the United Kingdom (UK) suffer arrhythmia. Early detection and treatment prevent occur sudden deaths (Almatarneh, et al., 2019).

Heart rhythm problem (arrhythmias) occurs when heartbeats are irregular, because the electrical signals are not working correctly. The regular heartbeats rate for normal people at rest is between 60 and 100 beats per minute (BPM). Doctors classify arrhythmias into two types according to their location or speed.

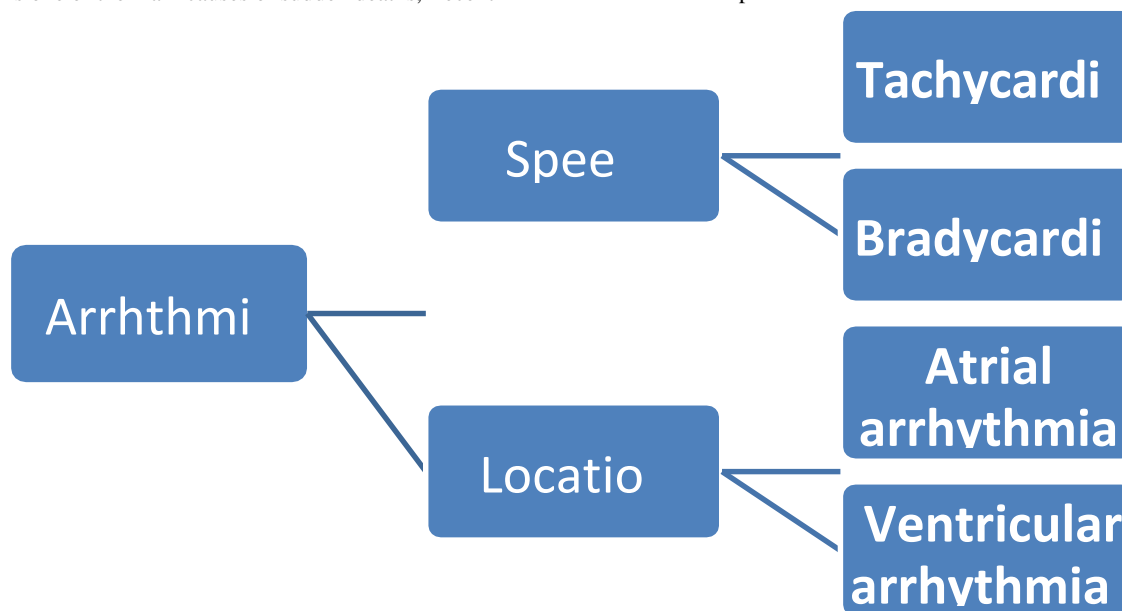


Figure 1. The main type of Arrhythmia

- I. **Tachycardia:** heart rate more than 100 BPM (an abnormally fast heart rate).
- II. **Bradycardia:** heart rate lower than 60 BPM (an abnormally slow heart rate).
- III. **Atrial arrhythmias** come from the upper heart chambers (atria).
- IV. **Ventricular arrhythmias** come from the lower heart chambers (ventricles).

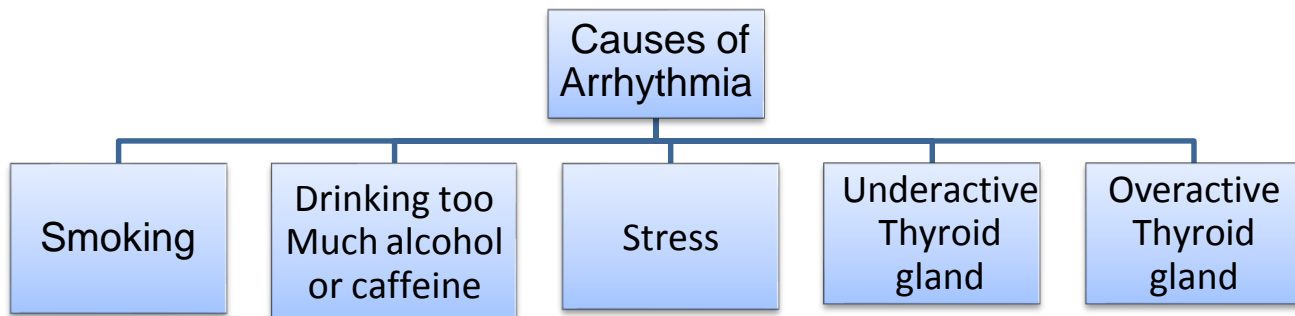


Figure 2. Causes of Arrhythmia

Figure 2 shows the causes of Arrhythmia and Figure 3 shows the symptoms of Arrhythmia.

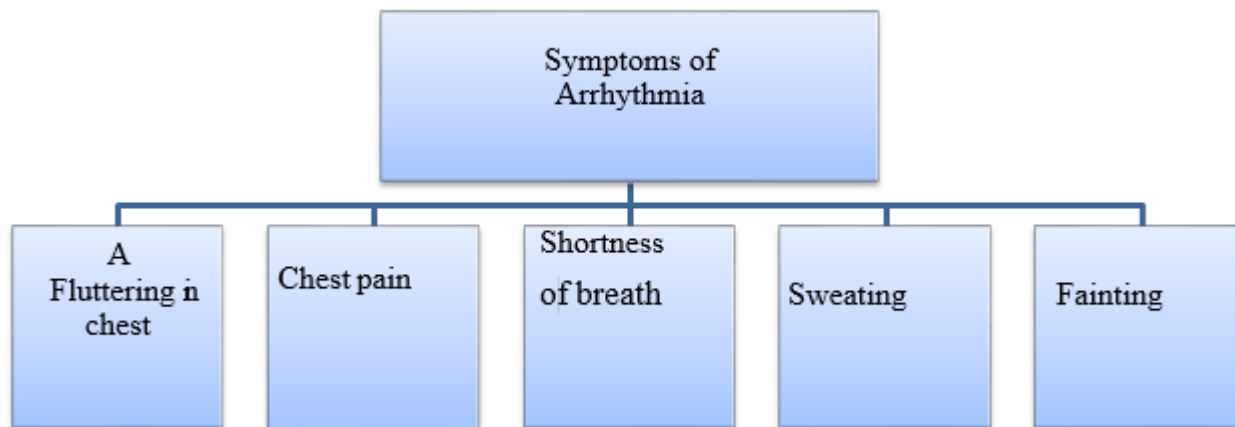


Figure 3. Symptoms of Arrhythmia

Currently, in the market, there are several Internet of Things (IoT) devices able to collect patient vital signs. However, the price of these devices makes them unattainable for most part of the population. Therefore, as engineering means helping those most in need, this project is providing a medical companion system with high availability, high performance and low cost which is the main aim and aspire of this study.

The aim of this project is to provide a medical companion system with high performance and low cost for helping people who are suffering arrhythmia by monitoring their vital signs with a smartphone application that is designed to follow up the patient and generate an alarm if the heart rates are indicating a dangerous situation and need an assistance.

- I. Make survey about the heart effect.
- II. Survey about excited solution.
- III. Proposal for the system.
- IV. Design and implementation.
- V. Testing.

2. Literature Review

In previous years, several methods have been presented in the area of arrhythmia detection to monitor the patient in a simple way. This section will present (or discuss) these methods. Firstly, Karim Mohammad designed and implement an embedded system for monitoring cardiac disease by detecting the patient's heartbeat using an electrocardiogram (ECG) (Altweiq and Alkhaldeh, 2019).

Design a system, which automatically detects the abnormal heartbeat, and then call the helpline in an abnormal situation using a GSM module. Niralex implemented a chip for measuring Straightness Training (ST) evaluation and alert the patient who suffers a heart disease. The abnormal heart situation is detected by characterizing the points of electrocardiogram (ECG) waveform, which the discrete wavelet transforms (DWT) algorithm is used to characterize the points (Alkhaldeh et al, 2020).

A system for elderly people, this system is a walking stick, which placed in it a transmitter that contains a biosensor and amplifier circuitry to amplify the heartbeat signal and the receiver system is worn by the elderly that contains a microcontroller and GSM. Designed a personal heart rate

monitoring system using a biometric sensor. This system is very useful to a patient who wants to detect his heart rate by himself. Implemented a system for ECG monitoring using microcontroller and biosensors to detect the heart rate. The heartbeat can be monitored based on the detected ECG signal (Selvathi, et al. 2017).

Ufoaroh proposed a real-time system for monitoring a heartbeat. The system monitors the heart rate. In the critical situation, it sends SMS alert to the medical experts and patients family members. Ricardo Joaquinito designed a prototype model to measure the bio signal, for wireless data transmission to a smartphone; he uses ARM processor and Bluetooth (Alkhaldeh, and Alkhaldeh, 2020).

Finally, IZCI and Mehmet Akif proposed an algorithm based on Empirical Mode Decomposition (EMD) to detect the arrhythmia in four steps; as follows:

- I. Pre-processing
- II. Empirical Mode Decomposition.
- III. Feature extraction.
- IV. Classification.

As seen in the above literature survey, it covers a variety of such methods and applications of arrhythmia detection. This project primarily focuses on what has been concluded and developed to come up with a new method of a wireless device that is connected with a mobile application; used to periodically monitor one's heartbeats and temperature. Moreover, sent an alert in an abnormal situation (Gp and amp. 2019).

3. System design

The fourth industrial revolution is expected to significantly influence the way individuals live and in that case change society in different aspects. It appears in several fields such as Artificial Intelligence (AI), Nanotechnology, 3D printing, Quantum computing, Fifth-generation wireless technologies (5G), and Internet of Things (IoT).

All these fields appeared to massively effect and develop the smart systems and the smart world concept with their several applications. Smart systems make human life more convenient and easier. It has a huge influence on everyone's life as technology is updated day by day. The block diagram of the smart System is shown in the Figure 4. It consists of 5 modules which are; Sensors, Data acquisition (DAQ), Processing Unit, Communication, and Power requirements (Fariborzi, et al. 2007).

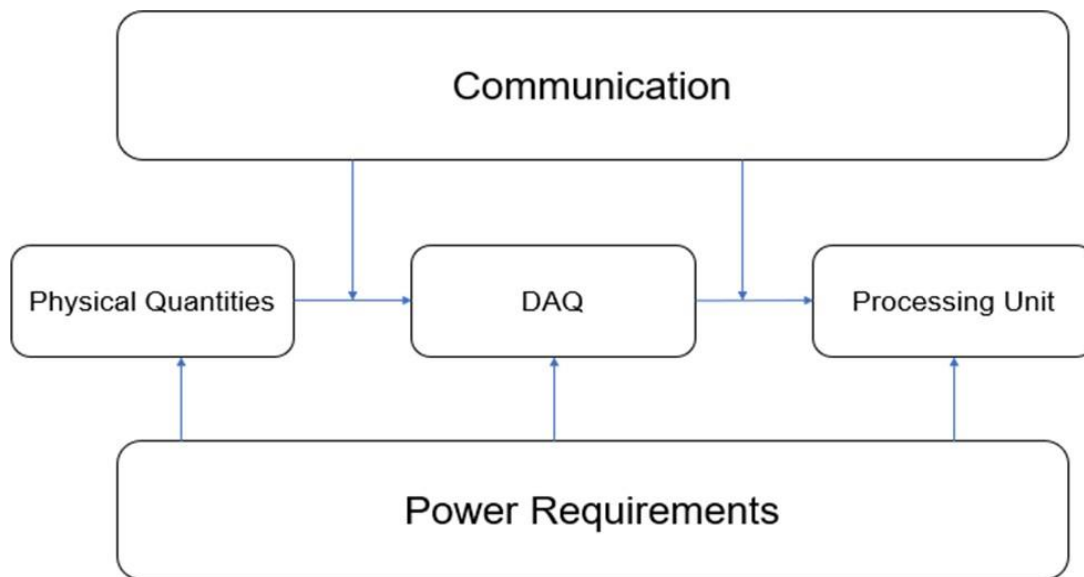


Figure 4. Smart System

Wireless Sensor Network (WSN): they are group of sensors that are used to transport or tracking specific chemical or physical phenomenon Such as heat, humidity, vibration, and light, then transmit these data wirelessly to data processing centre without need the presence of human being in a place of the phenomenon. It consists of several numbers of different small sensor nodes communicate wirelessly to each other, and have intelligent sensors to monitor the changes in surrounding then collected, processed and sent to monitors. There are many applications on WSN as Military observation, Monitor traffic, Protection of infrastructure, and Tracking objects

Machine-to-Machine Communication (M2M): It is technology to the development of IOT, and one of the first application of IOT. It allows the wireless and wired communications systems to communicate with other system and devices that have the same capacity. it uses some devices to take event then transmit over the wireless, wired and hybrid network to convert this event to the application. The expansion of wireless network around the world made a simple way to connect M2M and reduced the time and power needed to exchange information between machines, in

result M2M is expanded and turned into a large system of a network to transmit most of the data to personal application. It is used in many applications as Health, Security and Safety, Smart Environment, Transportation. Hopefully, this technology is going to support generation cellular networks like 5G.

Internet of Things (IoT): It is the most important expression appears recently of modern technology that means a new generation of the internet that enables the communication between interconnected devices together via Internet Protocol. These devices consist of computers, phones, sensors, several tools of Artificial Intelligence and other tools. it is a contact between people, computers and smartphones through a single global network and through a traditional known internet protocol which allows people to be free to control any devices whether near or far without having to be in a specific place to deal with devices. In fact, it can be useful in several applications as smart cities, transportation, smart home, remote healthcare, education, traffic management, security, as result IOT is very useful for human life. The block diagram of the medical companion project is shown in the Figure 5.

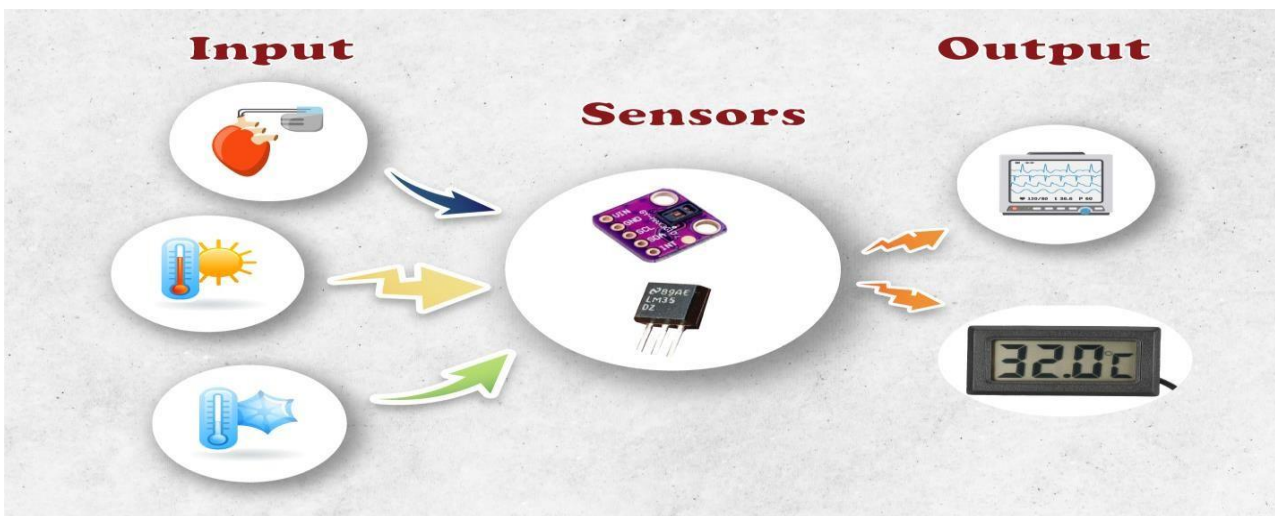


Figure 6. Sensor Block Diagram

From Figure 6, the sensor is a device that detects the physical environment and convert it into an electrical signal, which the controller can read it.

3.2.2 Classification

The sensors are classified into the following criteria:

- I. Application.
- II. Primary Input quantity.
- III. Property.
- IV. Material and Technology.

There are certain features that must take into consideration when

choosing a sensor:

- I. Accuracy.
- II. Cost.
- III. Range.
- IV. Resolution.
- V. Repeatability.
- VI. Linearity

The sensor can measure table 1 shows the different kinds of physical change.

Temperature	Liquid level
Pressure	Displacement
Flow	Velocity
Heart rate	Electric fields
Acceleration	Rotation
Force	Magnetic fields
PH	Strain
Chemical species	Vibration
Humidity	Viscosity

Table 1. Physical Changes

The Medical Companion project measure temperature and heart rate. However, there are many kinds of temperature and heart rate, these kinds will discuss as follows:

A. Temperature Sensor:

This sensor collects information about temperature, and then converts it into a form that is suitable for reading by the microcontroller.

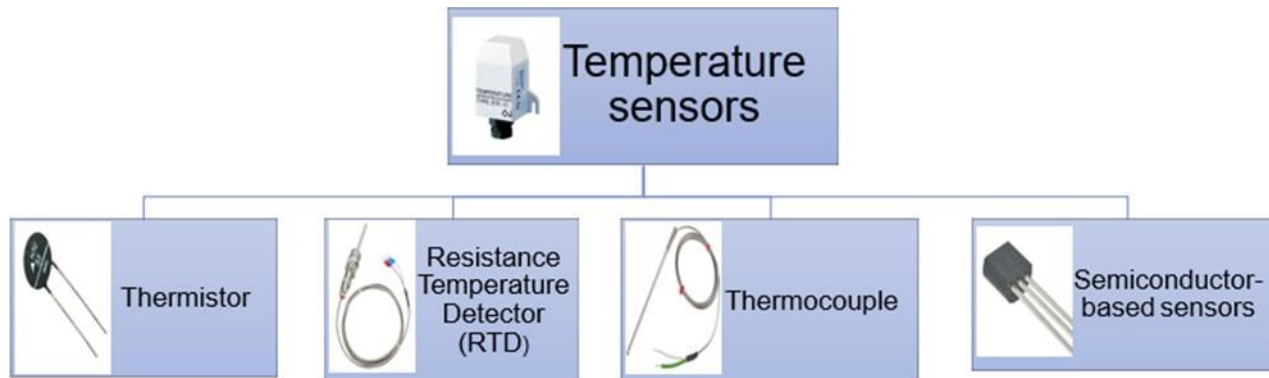


Figure 7. Types of Temperature sensor

- I. Thermistor: is a thermally sensitive resistor that shows a precise change in resistance corresponded to changes in temperature. There are two kinds of thermistor; Negative Temperature Coefficient (NTC) and Positive Temperature Coefficient (PTC).
- II. RTD: also known as a resistance thermometer, it is a thermal resistor that is manufactured to change the electrical resistance with the change in temperature. It consists of a film or a wire wrapped around a ceramic for greater accuracy.
- III. Thermocouple: it consists of two wires of different metals which form a measuring junction by connecting at one end. The changing voltage between these two points indicates proportional changes in temperature
- IV. Semiconductor-based sensors: it is an electronic device fabricated in a similar way to other modern electronic semiconductor components such as microprocessors, also is placed on integrated circuits (ICs).

Type	Accuracy	Range	linearity	Cost (£)
Thermistor	High Accuracy (0.05 – 1.5) °C	(-50 – 250) °C	Linear	2.23
RTD	High Accuracy (0.1 – 1) °C	(-200 – 600) °C	Fairly linear	7.9
Thermocouple	Low Accuracy (0.5 – 5) °C	(-200 – 1750) °C	Non linear	1.85
Semiconductor-based sensors	High Accuracy (±0.15) °C	(-55 – 150) °C	High linearity	1.5

Table 2. Temperature Sensors Specifications

Semiconductor-based sensors are the sensor that will be used in this project to measure the temperature, and there are many kinds of them, which one of them will be chosen for this project.

Type	Output	Range	Tolerance	Cost (£)
LM35	10mV/°C	-20°C to 120°C	±1°C & ±1.5°C	0.57
TMP36	10 mV/°C 500 mV offset	-40°C to 125°C	±3°C ±4°C	1.15
DS1820	1 wire serial 0.5°C resolution	-55°C to 125°C	±5°C	0.96
LM75	I2C Serial, 9 bit or 0.5°C resolution	-55°C to +125°C	±3°C	0.92
DS1620 DS1621	2 or 3 wire serial, 0.5°C resolution(0.1 – 1) °C	-55°C to 125°C	±5°C	0.76

Table 3. Semiconductor-based Sensors Specifications

from Table 3 Lm35 sensor will be chosen for Medical Companion project.

B. Heart Rate sensor: a sensor used to measure heartbeat in real time

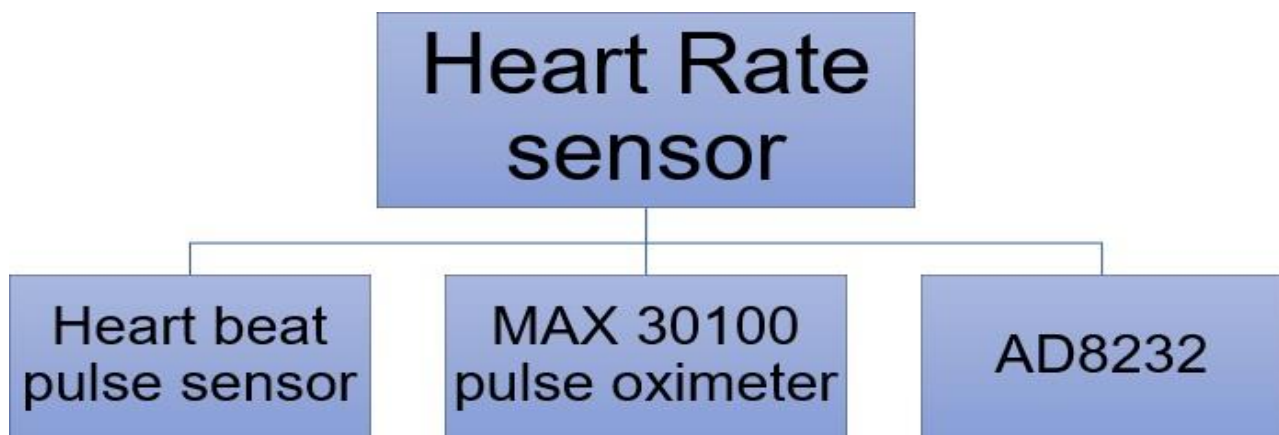


Figure 8. Types of Heart rate sensor

- I. Heartbeat pulse sensor: it is used to examine the heart rate. A heart rate Integrated Circuit (IC) consists of Amplifying circuit and noise cancelling. The supply voltage: 3V or 5V.
- II. Max30100 pulse oximeter: it is a heart rate monitor sensor. The Max30100 IC consists of two LEDs, low-noise analogue signal processing, a photodetector, and optimized optics. The supply voltage operates between 1.8V and 3.3V.
- III. AD8232: It is used to measure the electrical activity of the cardiac as an Electrocardiogram (ECG).

Type	Operating Voltage	Current Consumption:	Operating Temperature Range	Cost (£)
heart beat pulse sensor	3.3 - 5V	4mA	-40°C to +85°C	4\$
MAX30100	1.8V and 3.3V	0mA to 50mA	-40°C to +85°C	5\$
AD8232	2-3.5 V	170 micro ampere	-40°C to +85°C	11\$

Table 4. Heart Rate Sensor Specifications From Table

4 MAX30100 sensor will be chosen for Medical Companion project.

3.3 Data Acquisition System

Is the process of gathering of signals from the measurement of physical phenomena. This physical could be heartbeat for the patient, or his temperature. Then convert these signals to electrical signals. According to National Instruments (NI) the DAQ system consists of computer with programmable software, DAQ measurement hardware, and sensors.



Figure 9. DAQ process

According to Figure 9. DAQ hardware consists of Signal conditioning and analogue-digital converter:

- A. **Signal conditioning elements:** Is the manipulation of a signal by convert the output of physical quantities, in a waysuitable to prepare it for the next stage of processing.

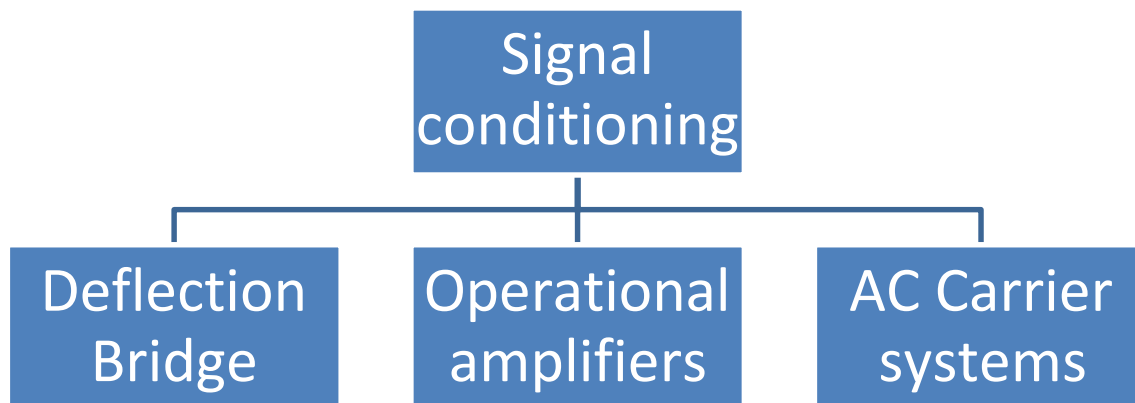


Figure 10. Signal conditioning elements

- I. **Deflection Bridge:** Electrical circuit used to convert the output of inductive, capacitive, and resistive sensors into a voltage signal.
- II. **Operational amplifiers (Op-Amps):** They are the fundamental construction blocks of Analogue electronic circuits. There are different kinds of amplifies such as; Voltage follower, Non-inverting amplifier, inverting amplifier, Integrator, Differential amplifier, Comparator, Summing amplifier.
- III. **A.C. Carrier systems:** Amplifier drift and external interference in the signal circuit are the most difficult problems in conditioning low-level Direct Current (DC). If the signal is converted into Alternative Current (AC) form, amplified and then reconverted into DC, these problems could be avoided. The primary elements inan AC carrier system are one of the following kinds:
 - A. R, L, C sensors in a suitable deflection bridge.
 - B. LVDT sensor.
 - B. **Analogue-to-digital conversion:** The most output of sensors are analogue signals and the microcontroller is digital equipment. Analogue signals must be converted before manipulated by a microcontroller using Analogue to digital converter (ADC). The output data turns into a series of digital values by fixed precision with approximates the signal

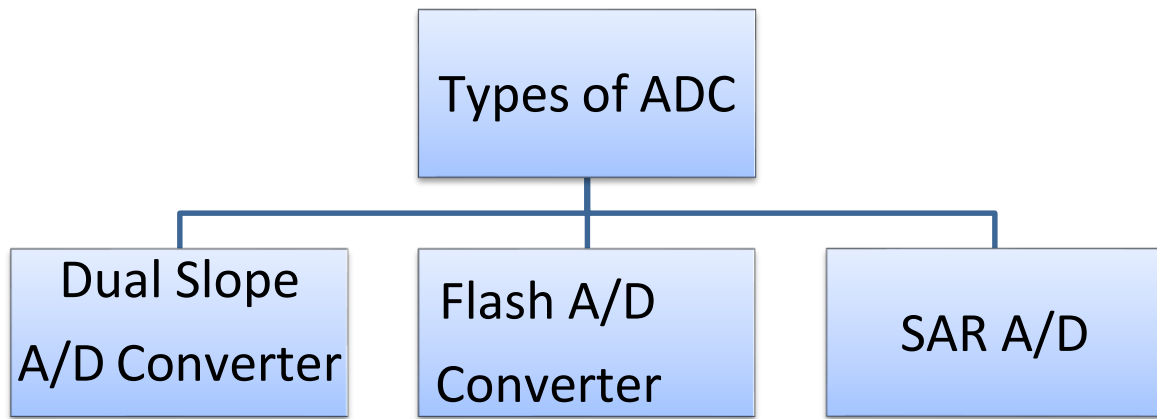


Figure 11. Types of ADC

- Dual Slope A/D Converter:** In this kind of ADC converter, an integrator circuit uses to generate a comparison voltage, as this IC formed by a combination of an operational amplifier, capacitor, and resistor. By the set value of V_{ref} , a sawtooth waveform generates by this integrator on the output from zero to V_{ref} . The dual slope ADC is slow speed device and almost medium cost.

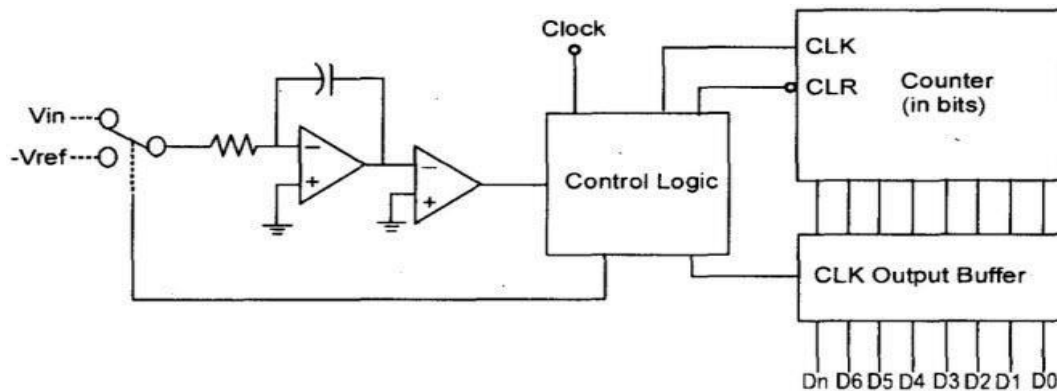


Figure 12. Dual Slope ADC Converter

- Flash A/D Converter:** Also known as, parallel ADC, its circuit consists of a series of comparators; the output at each comparator will be the high state when the analogue input voltage surpasses the reference voltage. The flash ADC converter is a high-speed and expensive device. Moreover, it became widely and efficiently used because of its speed.

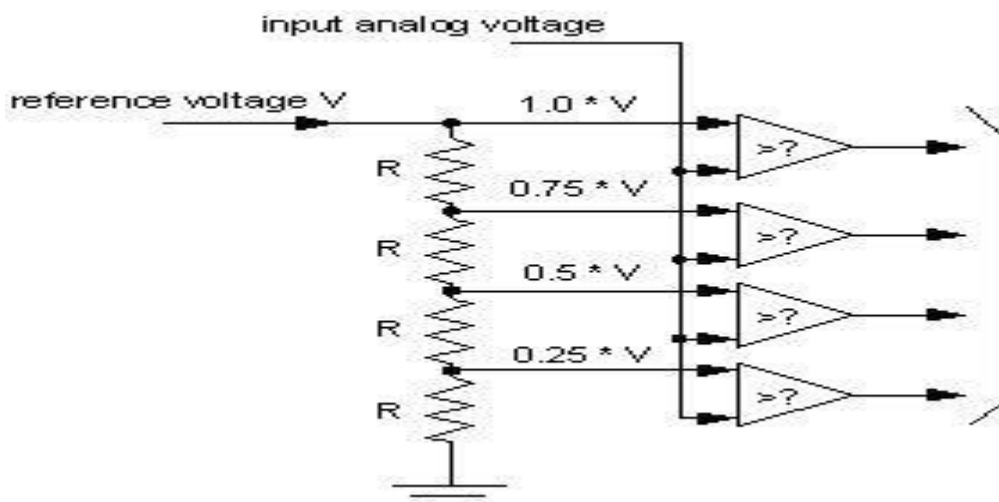


Figure 13. Flash ADC converter

- **Successive Approximation A/D Converter (SAR):** It uses a digital logic that gathers between the analogue input voltage and the closest value, this circuit consists of a D/A converter, output latches, comparator, and successive approximation register (SAR). It is faster than the two previous ADCs that have been discussed and the most modern one.

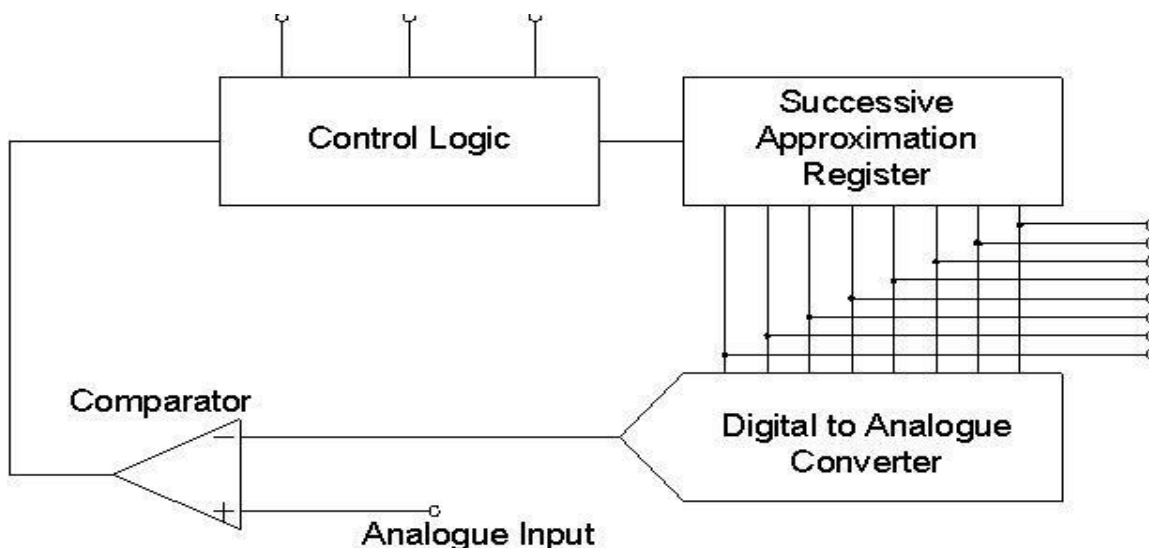


Figure 14. Successive Approximation ADC Converter

3.4 Processing Unit

There are many types of processors that are used in the smart systems. The most used processors are:

- **Microprocessor unit (MPU):** Also known as a heart of Computer systems, it is an integrated circuit that incorporates the functions of a central processing unit of a computer. MPU is based on Harvard architecture where

data memory and program memory are separate.

- **Microcontroller unit (MCU):** Also known as a heart of embedded systems, it is a small computer on a compact integrated circuit designed to perform a specific task. Its integrated circuit consists of a processor core, memory, and programmable input/output peripherals. MCU is based on Von Neumann model where data and program are stored the same memory module.

Microprocessor	Microcontroller
Core of computer system	Core of embedded system
High cost	Low cost
CPU, RAM, ROM, I/O and timer are separate	CPU, RAM, ROM, I/O and timer are on a single chip
Can select the amount of RAM, ROM and I/O pins	Fixed amount of RAM, ROM and I/O pins
General purpose	Single purpose (control-oriented)
High processing power	Low processing power
High power consumption	Low power consumption
Typical 32/64-bit	Typical 8/16-bit

Table 5. Comparison between Microprocessor and Microcontroller

MCs are used to control devices automatically, such as medical devices, automobile engine control systems,

power tools, remote controls, appliances toys, office machines and other embedded systems. The MC is more

economical because its design is created to reduce the cost and size compared to other designs that use separate memory, MP, and input/output devices.

Programmable System-on-Chip (PSoC) is a family

of Microcontroller integrated circuits by Cypress Semiconductor. It composed of a CPU core, programmable interconnect architecture, and configurable analogue and digital blocks. There are many types of PSoC, Table 6 will discuss the most common types of them.

PSOC-MC	Arduino Uno	Raspberry Pi B+	Espressif
Processor	ATMega328P	Quad-core ARM Cortex A53	–
Wi-Fi	Shield	Ethernet	Built-in
Operating voltage	5V	5V	3.3v
Clock speed	16 MHz	1.2GHz	26 MHz – 52 MHz
System memory	2kB	1 GB	<45kB
Flash memory	32 kB	–	up to 128MB
EEPROM	1 kB	–	–
Development environments	Arduino IDE	Linux	Arduino IDE, Lua Loader
Programming language	Wiring	Python, C, C++, Java and Scratch Ruby	Wiring, C and C++
I/O Connectivity	SPI, I2C, UART and GPIO	SPI, DSI, UART, SDIOCSI and GPIO	UART and GPIO

Table 6. Characteristics of PSoC types

Espressif Systems produce a range of high-performance Wi-Fi and Bluetooth modules. They work with original equipment manufacturers to add wireless connectivity to their product. Espressif devices will be used in Medical Companion project, due to their low-cost and high

performance that they provide, which make them the best choice for this project. However, there are many types of Espressif devices, these types will be discussed as follows in table 7 below:

Specifications	ESP8266	ESP32
MCU	Single-Core 32-bit L106	dual-Core 32-bit LX6
Wi-Fi	HT20	HT40
Bluetooth	None	Bluetooth 4.2 and below
Typical frequency	80 MHz	160 MHz
SRAM	160 Kbytes	512 Kbytes
Flash	SPI (up to 16 Mbytes)	SPI (up to 16 Mbytes)
GPIO/ADC	17/1	36/18
Hardware PWM	None	1
Software PWM	8 channels	16 channels
SPI	2	4
I2C	1	2
I2S	2	2
UART	2	2
ADC	10-bit	12-bit
CAN	None	1
Ethernet	None	1
Touch sensor	None	Yes
Temperature sensor	None	Yes
Working Temperature	-40°C - 125°C	-40°C - 125°C

Table 7. Comparison between Esp32 and Esp8266

After studying the characteristics of each type, Esp32 was the best choice for this project and this is due to the following reasons:

- I. Esp32 contains built-in Wi-Fi and Bluetooth. The data will be uploaded to Google Cloud using Wi-Fi and the need for Bluetooth come up to connect the medical companion device with the mobile application to prevent the Interruption of Wi-Fi.
- II. The number of Analogue pins in ESP32 and ESP8266 is 18 pins and one pin, respectively.
- III. The cost of ESP32 is £5.44, where it is £3.85 for ESP8266. However, if Bluetooth shield is added to ESP8266, it will cost more than ESP32.

3.5 Communication Media

One of the most important features of human society is the need for others. No one can live in isolation from others, be far from them or not communicating with them. Efforts have been always made to search for ways to facilitate communication between people. The purpose of communication is to create channels between groups and individuals in a way that ensures speed and determine the destination of the communication. In previous communities, they have emerged in the use of pigeons in the delivery of written messages between people and between countries, but in this era, we live in this matter easier and faster than before, thanks to the emergence of communication systems modern wired and wireless.

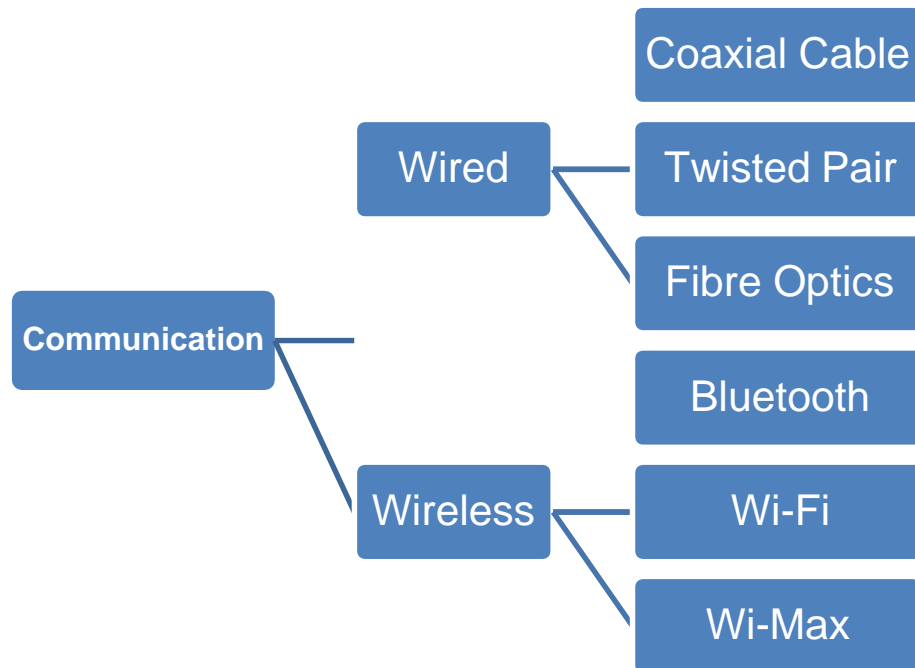


Figure 15. Types of Communication System

In the 20th and 21 centuries, we now have the means of telecommunications through fixed telephone networks. These networks have been providing fixed communication services through their presence in companies, homes, public and private institutions. As the progress of science emerged wireless communications that used technology Cellular networks in the provision of mobile communications services characterized by fast communication and ease of transition and flexibility of the system, and the breadth of spatial coverage as well as the abundance of service features provided by networks of cellular service providers.

The wired system in communications means that broadcast and reception (transmission) of information (data) over a wire between transmitter and receiver. Wire include transmission line like:

- **Coaxial Cable:** It is designed to transmit high-frequency signals and for community antenna. The coaxial cable, which consists of a single solid-copper core that converts the information (data) electrically. Coaxial cable consists of two conductors, an outer cylinder that can be solid or braided, and an inner conductor that can be solid or stranded.

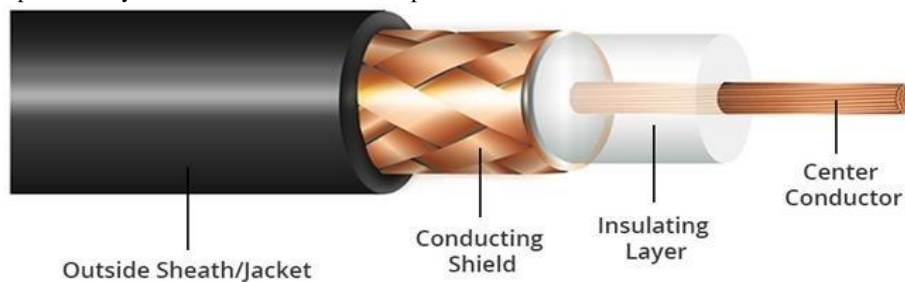


Figure 16. Coaxial Cable Construction

- **Twisted Pair:** it is widely used in communication as an electronic device, electromagnetic pulse (EMP), telephone communications and most modern Ethernet network. It consists of a set of two insulated wires, which can be divided into shielded twisted pair and unshielded twisted pair.

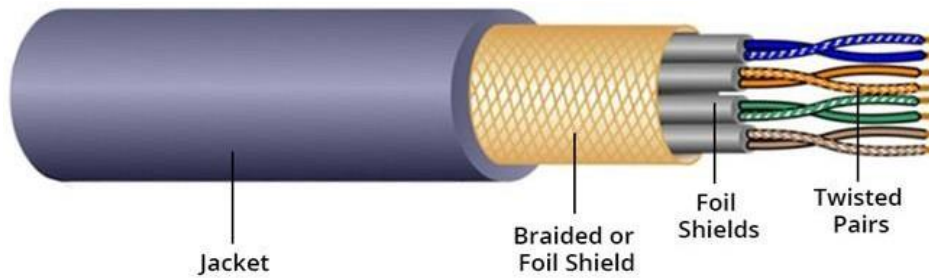


Figure 17. Twisted Pair Construction

- Fiber Optics:** It is widely used in communication systems to transmit information via light. Optical communication systems use high carrier frequencies close to-infrared in the electromagnetic spectrum. There are two kinds of fiber cables obtainable; single mode and multi-mode. A fiber optic cable is formed of a glass or plastic in the core, a cladding, and protect with an outer protective jacket.

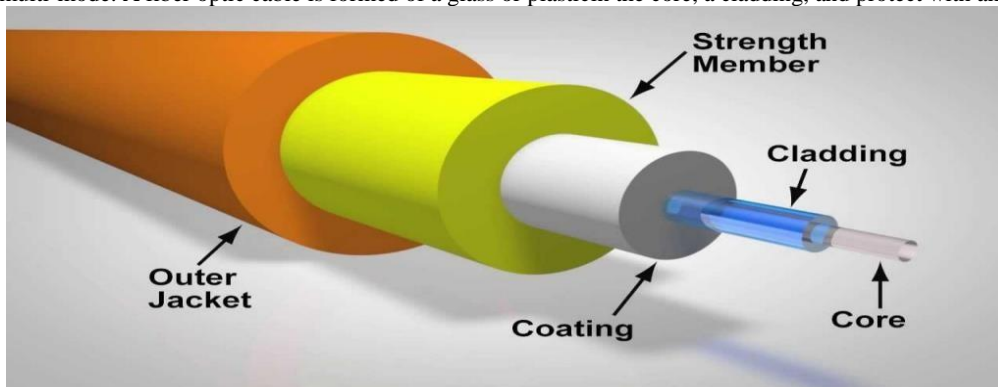


Figure 18. Fiber Optics Construction

Wireless communication is a transfer of information and power between transmitter and receiver without the use of wire conduction, the transfer process done by using Electromagnetic (EM) waves and with remote controlled this information by EM wave, the most common use radio waves. There are many types of the wireless communication including Bluetooth, wireless network, mobile broadband, Wi-Fi, and Wi-Max.

- Bluetooth:** It is a standard technology for wireless communication to transfer data between two electronic devices through short distances by using ultra-high-frequency radio waves (UHF). In 1994, this technology began to develop to be as an alternative to cables of (RS-232). It is controlled via Bluetooth development kit from Special interest group (SIG), which include of more than 30

thousand member companies in the field of Telecommunications, networking and electronics.

- Wi-Fi:** It is a technique which most wireless networks are based on it, it uses radio waves to exchange information instead of wires and cables, it also able to penetrate the barriers and walls. Moreover, it has high-speed data transmission and data rate up to 54 Mbps.
- Worldwide Interoperability for microwave access (Wi-Max):** It is a technique of broadband wireless communications systems; this technology is an alternative to wired communication technology that uses Digital Subscriber line (DSL). Moreover, it is an advanced technology of Wi-Fi. Almost it is working in the same way of Wi-Fi by different speeds and distance.

Specification	Bluetooth	Wi-Fi	Wi-Max
Frequency	2.400 to 2.485 GHz	IEEE 802.11b/g operate at the 2.4-GHz bands	The IEEE 802.16 standard system operates in two different frequency bands 10–66-GHz band below 11 GHz (2–11-GHz band)
standards based	SIG	IEEE, WECA	IEEE
Cost	Low	Higher compared to Bluetooth	Very high
century of development	At end of 20century	At end of 20 century	At the beginning of 21century first published in 2001
Multiplexing	TDM, FDM	CSMA	TDM/OFDMA
Duplexing	half-duplex / full duplex	Half duplexing (TDD)	Full duplexing (TDD, FDD)
Network definition	Wireless personal area network (WPAN)	Wireless local area network (WLAN)	Wireless metropolitan area network (WMAN)

Table 8. Wireless Communication Specification

After studying the characteristics of each type, Wi-Fi and Bluetooth were the best choice for this project.

3.6 Power requirements

In the world we are living today, almost everything around us

require electrical source. The source power may simply come from an electrical outlet from the electric power grid or storage devices such as batteries. The Figure 15 presents the types of power sources used; which are briefly discussed below.

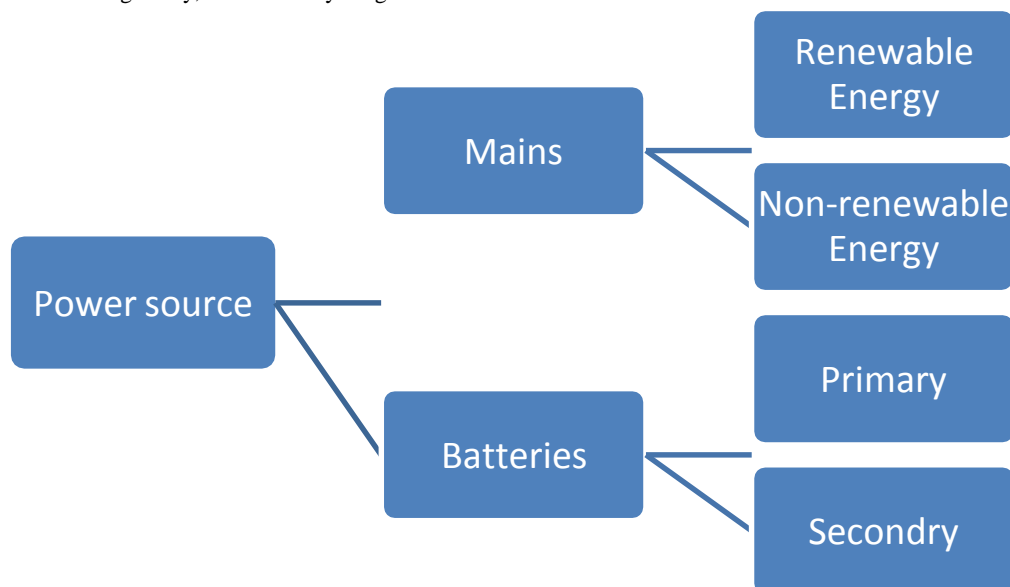


Figure 19. Main Power Sources

Mains: There are many areas of energy resources. They mainly fall into two categories: non-renewable and renewable resources.

- **Non-renewable energy** is a source of energy that will ultimately run out and is available in limited supplies. The resources are mostly

fossil fuels such as coal, oil (or petroleum) and natural gas. Although they are relatively inexpensive to extract, they lead to large amount of destruction and harm to the environment and cause pollutant emission, which is the main reason why the world is looking forward to fully depend on renewable energy in the future.

- **Renewable energy** resources are by far the less pollutant sources of energy. They are replenished naturally over relatively short periods of time, have lower running cost and are widely available. There are five major of renewable energy resources: solar, wind, water (hydro), biomass and geothermal.

Nuclear energy though can be considered as either non-renewable or renewable; as nuclear energy, itself is a renewable energy source but the material used in nuclear power plants is not (Krishan, et al., 2019).

- **Batteries:**

They contain two or more voltaic cells, which are connected in series to produce a constant DC voltage at the terminalsof the battery's output. These voltaic cells use a chemical reaction to produce electrical energy.

The voltage output for a battery is determined by:

- 1- The elements used for the electrodes.
- 2- The size of the electrodes.
- 3- The type of electrolyte used.

There are two kinds of batteries as shown in figure 15, depends on the cells used to form the battery:

- **A primary cell:** cannot be recharged due to the internal chemical reaction be returned.
- **A secondary cell:** also known as a storage cell, it can be recharged due to its chemical reaction can be returned.

Medical companion is a wearable device that makes the Batteries the best choice for the power source instead of mains that will be used in this project.

Primary	Secondary
Lower initial cost	Higher initial cost
Higher life-cycle cost (\$/kWH)	Higher life-cycle cost (\$/kWH) if charging convenient and inexpensive
Disposable	Regular maintenance required.
Disposable	Periodic recharging required
Traditionally limited to specific applications.	The overall inherent versatility of secondary battery systems allows its use and continuing research for a large spectrum of applications.

Table 9. Comparison between Primary and Secondary Batteries

The secondary rechargeable battery is the type used in this project, as it can be recharged many times and has a much lower total cost of ownership and environmental impact. The most common ones are Lead Acid, Nickel- cadmium, Nickel-metal-hydride, Lithium-ion and Lithium-ion-polymer. Lithium-ion-polymer was the best choice upon these types to be used. Although it has the highest cost; it has the longest cycle life, fastest charging time and it is the least toxic one. This type has excellent energy density and capacity. In addition to that, the solid polymer cell does not require the heavy protective cases of conventional batteries. Therefore, the cells can be formed into flat sheets, which fit the device implemented in this project.

4. Conclusion

As a result of this study and doing this medical companion system, a real-time operating system for monitoring patients is provided with low-cost, which enable more people to be able to buy it. This system also delivers the recorded data to a mobile app on the patient's smartphone and simplifies the tracking process of patients by automatically sending their location in emergencies.

References

1. Alkhaldeh, A. K. (2020). Analytics of Antimony in Natural Water of Nanoparticle Platinum Electrode by Application Square Wave Voltammetry, *International Journal of Multidisciplinary Sciences and Advanced Technology*, 1(4): 96-103.
2. Alkhaldeh, A. K. (2020). COVID-19: Simultaneous Surveillance Studies and Case Series, Jordan as a Case Study, *International Journal of Multidisciplinary Sciences and Advanced Technology*. Special Issue 1, 55-62.
3. Alkhaldeh, A. K. (2020). Electrical Conductivity of Natural Volcanic Tuff Mix by Cyclic Voltammetry Method, *International Journal of Multidisciplinary Sciences and Advanced Technology*, 1(5): 37-44.
4. Alkhaldeh, A. K. (2020). Platinum Nanoparticle in Tantalum Electrode for the Electrochemical Analysis of Heavy Metal Ions Formed by the Ion Beam Sputtering Deposition, *International Journal of Intelligent Computing and Technology*, 4(1): 25-35 .
5. Alkhaldeh, A. K. (2020). Platinum Nanoparticles for the Electrochemical Study of Heavy Metal ions Formed by the Sputtering Deposition of the ion beam Electrode. *International Journal of Engineering and Artificial Intelligence*. 1(3): 1-8.
6. Alkhaldeh, A. K. Alkhaldeh, R. (2020). Glassy Carbon Electrode Modified by Molybdenum to Detection Hydrochlorothiazide, *International Journal of Multidisciplinary Sciences and Advanced Technology*. 1(6): 36-42.
7. Alkhaldeh, A. K. Alkhaldeh, R. (2020). Highly Sensitive copper Heavy Metal Analysis on Nanoparticle Platinum and palladium electrode, *International Journal of Engineering and Artificial Intelligence*. 1(2): 33-39 .
8. Alkhaldeh, A. K., M.Krishan, M., Altwaiq, A., Dabaibeh, R. N. (2020). Preparation of Nanostructured/ Microplatinum Surfaces by Application of a Square Wave Potential Regime for Methanol Oxidation. *Eurasian Journal of Analytical Chemistry*, 15(1), emEJAC-00362.
9. Almatarneh, M. H., Elayan, I. A., Al-Sulaibi, M., Khawaldeh, A., Saber, S. O. W., Al-Qaralleh, M., and Altarawneh, M. (2019). Unimolecular Decomposition Reactions of Propylamine and Protonated Propylamine. *ACS Omega*, 4(2), 3306–3313. doi: 10.1021/acsomega.8b02792.
10. Alshamaileh, E., Al-Sulaibi, M., Al-Khawaldeh, A., Almatarneh, M., El-Sabawi, D. and Al-Rawajfeh, A. (2016), "Current status of

- nanotechnology in Jordan", World Journal of Science, Technology and Sustainable Development, Vol. 13 No. 2, pp. 66-81. <https://doi.org/10.1108/WJSTSD-01-2016-0001>.
11. Altweiq, A. and Alkhalwaldeh, A (2019). The Determination of Some Heavy Metals in Different Selected Diets.
 12. Eurasian Journal of Analytical Chemistry, 14(4), emEJAC-00326.
 13. Fariborzi, H., Moghavvemi, M., & Mehrkanoon, S. (2007). Design of a Low-power Microcontroller-based Wireless ECG Monitoring System. 2007 5th Student Conference on Research and Development. doi:10.1109/scored.2007.4451383
 14. Gp, R., & K. V. (2019). Development of Smart Agricultural Monitoring and Automatic Irrigation System. International Journal of Innovative Research in Computer Science & Technology, 7(3), 48-53. doi:10.21276/ijircst.2019.7.3.5.
 15. Krishan, M.; Alkhalwaldeh, A.; Soliman, A. (2019). Development of Nitride-Sensors for Monitoring in Control Systems. Preprints 2019, 2019050227.
 16. Selvathi, D., Sankar, V. V., & Venkatasubramani, H. (2017). Embedded based automatic heart attack detector and intimator. 2017 International Conference on Innovations in Information, Embedded and Communication Systems (ICIECS). doi:10.1109/iciiecs.2017.8275839.